



WOOD INSERTS & FIREPLACES

REGENCY-FIRE.COM



WHY CHOOSE REGENCY?

At Regency, our past 40 years have been focused on providing a high-level of service while building high-quality and reliable products that our customers can enjoy for years to come.

HIGH-QUALITY

Producing a high-quality product has been at the very heart of what we do; from when that very first stove rolled off the production line over 40 years ago to today. We are ever-focused on producing quality products for our customers that will last for years to come.

BEST WARRANTY

A fireplace should be reliable and should work right the first time it is used, and the 1,000th. A core part of our business is making sure that we are building long-lasting, durable, high-quality products. We back-up that commitment with the industry's best warranty on all our products.

COST-EFFICIENT

Never before have home heating costs been higher. Turn your furnace way down and zone heat with our beautiful, reliable and convenient Regency products. Not only can you cut your fuel bills in half, but you'll be able to enjoy the timeless comfort of a Regency fire.

Why Regency? Because it's more than a fireplace!



TABLE OF CONTENTS

WOOD INSERTS

Hampton® Hi1150	06
Regency Alterra® Ci1150	07
Regency Classic™ i1150	08
Regency Cascades™ i1500	09
Regency Classic™ i2450	10
Regency Cascades™ i2500	11
Hampton® Hi2450	12
Hampton® Hi500	13
Regency Pro-Series™ Ci2700	14
Technology	16
Accessories	18

WOOD FIREPLACES

Regency Alterra® CF780	20
Regency Contura® Ri50	22
Specifications	24





renewable • affordable • beautiful



REGENCY WOOD PRODUCTS



ECO-FRIENDLY

Regency wood inserts are EPA 2020 Certified so you burn less wood, produce fewer emissions, and get longer burns while keeping your home warm all year long.



HIGHLY EFFICIENT

Using more of the wood's available energy means less loading, less chopping, less effort, and most importantly less money spent on wood! Save money with highly efficient Regency wood products.



INDUSTRY'S BEST WARRANTY

Every product is backed by our lifetime limited warranty, and our hybrid products offer a 10-year, 100% warranty on the original combustor. The best in the industry!



QUALITY, DURABLE PRODUCTS

Regency wood products are manufactured right here in North America using high-quality thick gauge steel. All Regency products are designed from the ground up to be durable and to last generations.



ECO BOOST - TRIPLE BURN TECHNOLOGY

Triple stage burn technology delivers a system of high efficiency, clean combustion and maximum heat control, all with less wood, less loading and less effort.



Hi1150 shown in timberline brown.

HAMPTON® | Hi1150 Small Non-Catalytic Wood Insert

The Hampton Hi1150 small cast iron wood insert offers a the traditional look and feel of cast iron with modern efficiency. The Hi1150 delivers up to 55,000 BTU of high efficiency heat throughout your home providing comfort and warmth to the living areas you spend time in. Decrease your heating bills and increase the value of your home with this beautiful Hampton insert.

FEATURES

- Large fire viewing area, with heat radiating ceramic glass
- Decorative cast iron grille
- Cast iron exterior provides additional radiant heating
- Wood-finished handle
- Heavy duty cast hinges that will never bend or break
- Solid forged steel adjustable cam lock ensures a tight door seal over time
- Side mounted air adjustment
- High performance brick-lined firebox reflects heat
- Non-obtrusive air wash curtain keeps glass clean
- Heavy gauge steel log retainers to stop logs from rolling

OPTIONS

- Metallic black or timberline brown enamel finish
- 2 speed blower
- Power outlet conversion
- Regency stainless steel flex liner kits (5.5" DIA) in 25 ft. and 35 ft. lengths
- Wrap insulation kits
- Flue connectors

SPECIFICATIONS

Maximum BTU*	55,000
Typical sq. ft. heated**	600 - 1,200
Efficiency (EPA LHV)	75%
Max log size	18"
Burn time	Up to 8 hours
Emissions	1.7 g/h
Firebox size	1.3 cu. ft.
Flue size	6"

MIN. FIREPLACE OPENING

Width (front) x Height	25" x 19-5/8"
Depth (standard flue adapter)	15-1/16"
Depth (offset flue adapter)	17-11/16"

NOTE: The ember protection shown in these images may not accurately reflect the ember protection dimensions required for your area.

* Length of burn time and BTU range depend on type of wood, moisture content, climate conditions and installation. Refer to page 18 for BTU calculation method.

** Varies depending on home floor plan, house layout, heat loss of the house and quality/moisture content of wood.



Ci1150 small wood insert.

REGENCY ALTERRA® | Ci1150 Small Non-Catalytic Wood Insert

This Alterra small contemporary cast iron wood insert provides a flush and clean design for your existing fireplace. This compact wood heater provides exceptional heating capacity and the two-speed blower helps distribute the heat to the far corners of your living space.

FEATURES

- Large fire viewing area, with heat radiating ceramic glass
- Cast iron faceplate provides additional radiant heating
- Heavy duty cast hinges that will never bend or break
- Solid forged steel adjustable cam lock ensures a tight door seal over time
- Front mounted air adjustment
- High performance brick-lined firebox reflects heat
- Non-obtrusive air wash curtain keeps glass clean
- Heavy gauge steel log retainers to stop logs from rolling
- Reversible cast iron door with removable handle
- Flush mount 2 speed blower

OPTIONS

- Regular or custom made backing plates
- Standard or 4-1/2" offset flue adaptor
- Regency stainless steel flex liner kits (5.5" DIA) in 25 ft. and 35 ft. lengths
- Flue connectors
- Wrap insulation kits

SPECIFICATIONS

Maximum BTU*	55,000
Typical sq. ft. heated**	600 - 1,200
Efficiency (EPA LHV)	75%
Max log size	18"
Burn time	Up to 8 hours
Emissions	1.7 g/h
Firebox size	1.3 cu. ft.
Flue size	6"

MIN. FIREPLACE OPENING

Width (front) x Height	25" x 23"
Depth (standard flue adapter)	15-1/16"
Depth (offset flue adapter)	17-11/16"

NOTE: The ember protection shown in these images may not accurately reflect the ember protection dimensions required for your area.

** Length of burn time and BTU range depend on type of wood, moisture content, climate conditions and installation. Refer to page 18 for BTU calculation method.*

***Varies depending on home floor plan, house layout, heat loss of the house and quality/moisture content of wood.*



i1150 shown with nickel accent door & oversize backing plate.

REGENCY CLASSIC™ | i1150 Small Non-Catalytic Wood Insert

This Regency Classic i1150 small wood insert is perfect to seal off that drafty fireplace that isn't quite big enough for a full sized heater or for that area in your home that requires a smaller heater. It also adapts to fit most pre-fabricated fireplaces.

FEATURES

- Large fire viewing area, with heat radiating ceramic glass
- Wood-finished handle
- Heavy duty cast hinges that will never bend or break
- Solid forged steel adjustable cam lock ensures a tight door seal over time
- Front mounted air adjustment
- Air operating safety tool
- High performance brick-lined firebox reflects heat
- Non-obtrusive air wash curtain to keeps glass clean
- Heavy gauge steel log retainers to stop logs from rolling
- Welded ash lip will never bend or break

OPTIONS

- Cast iron door with heat radiating ceramic glass in black or nickel accent
- Regular or oversize backing plate (black trim included)
- Variable speed blower
- Standard or 4-1/2" offset flue adaptor
- Regency stainless steel flex liner kits (5.5" DIA) in 25 ft. and 35 ft. lengths
- Wrap insulation kits
- Flue connectors

SPECIFICATIONS	
Maximum BTU*	55,000
Typical sq. ft. heated**	600 - 1,200
Efficiency (EPA LHV)	75%
Max log size	18"
Burn time	Up to 8 hours
Emissions	1.7 g/h
Firebox size	1.3 cu. ft.
Flue size	6"

MIN. FIREPLACE OPENING	
Width (front) x Height	23" x 19"
Depth (standard flue adapter)	13-3/4"
Depth (offset flue adapter)	16-1/2"

NOTE: The ember protection shown in these images may not accurately reflect the ember protection dimensions required for your area.

* Length of burn time and BTU range depend on type of wood, moisture content, climate conditions and installation. Refer to page 18 for BTU calculation method.

** Varies depending on home floor plan, house layout, heat loss of the house and quality/moisture content of wood.



i1500 shown with black door and regular backing plate.

REGENCY CASCADES™ | i1500 Small Hybrid Wood Insert

The Regency Cascades i1500 small hybrid wood insert features Regency's Eco-Boost triple burn technology to allow for longer burns, fewer emissions, and greater efficiency. Perfect for sealing a drafty fireplace or adding high-efficiency warmth to a smaller space.

FEATURES

- Large fire viewing area, with heat radiating ceramic glass
- Wood-finished handle
- Heavy duty cast hinges that will never bend or break
- Solid forged steel adjustable cam lock ensures a tight door seal over time
- Front mounted air adjustment & catalytic bypass
- Air & bypass safe operation tool
- Digital catalytic temperature monitor helps your stove reach maximum burn times & efficiency
- High performance brick-lined firebox reflects heat
- Non-obtrusive air wash curtain keeps glass clean
- Heavy gauge steel log retainers to stop logs from rolling
- Welded ash lip will never bend or break
- 10-year 100% coverage on original catalyst

OPTIONS

- Cast iron door with heat radiating ceramic glass in black or nickel accent
- Regular or oversize backing plate (black trim included)
- Variable speed blower
- Standard or 4-1/2" offset flue adaptor
- Regency stainless steel flex liner kits (5.5" DIA) in 25 ft. and 35 ft. lengths
- Wrap insulation kits

SPECIFICATIONS	
Maximum BTU*	55,000
Typical sq. ft. heated**	600 - 1,200
Efficiency (EPA LHV)	84%
Max log size	18"
Burn time	Up to 10 hours
Emissions	1.0 g/h
Firebox size	1.3 cu. ft.
Flue size	6"

MIN. FIREPLACE OPENING	
Width (front) x Height	23" x 19"
Depth (standard flue adapter)	13-3/4"
Depth (offset flue adapter)	16-1/2"

NOTE: The ember protection shown in these images may not accurately reflect the ember protection dimensions required for your area.

* Length of burn time and BTU range depend on type of wood, moisture content, climate conditions and installation. Refer to page 18 for BTU calculation method.

**Varies depending on home floor plan, house layout, heat loss of the house and quality/moisture content of wood.



i2450 shown with nickel accent door & oversize backing plate.

REGENCY CLASSIC™ | i2450 Medium Non-Catalytic Wood Insert

The Regency Classic i2450 medium wood insert is ready to install and fits easily into your existing fireplace. Quickly and easily load wood front to back or side-to-side and experience long efficient burns. With the i2450 classic wood style meets modern wood burning technology.

FEATURES

- Large fire viewing area, with heat radiating ceramic glass
- Wood-finished handle
- Heavy duty cast hinges that will never bend or break
- Solid forged steel adjustable cam lock ensures a tight door seal over time
- Side mounted air adjustment
- Air operating safety tool
- High performance brick-lined firebox reflects heat
- Non-obtrusive air wash curtain keeps glass clean
- Black convection grilles
- Welded ash lip will never bend or break

OPTIONS

- Cast iron door with heat radiating ceramic glass in black or nickel accent
- Nickel convection grilles
- Regular or oversize backing plate (black trim included)
- 2 speed blower
- Regency stainless steel flex liner kits (5.5" DIA) in 25 ft. and 35 ft. lengths
- Wrap insulation kits
- Flue connectors

SPECIFICATIONS	
Maximum BTU*	75,000
Typical sq. ft. heated**	1,000 - 2,200
Efficiency (EPA LHV)	72%
Max log size	18"
Burn time	Up to 10 hours
Emissions	1.4 g/h
Firebox size	2.3 cu. ft.
Flue size	6"

MIN. FIREPLACE OPENING	
Width (front) x Height	25" x 21-1/2"
Depth (standard flue adapter)	17"
Depth (offset flue adapter)	--

NOTE: The ember protection shown in these images may not accurately reflect the ember protection dimensions required for your area.

* Length of burn time and BTU range depend on type of wood, moisture content, climate conditions and installation. Refer to page 18 for BTU calculation method.

** Varies depending on home floor plan, house layout, heat loss of the house and quality/moisture content of wood.



i2500 shown with nickel accent door & regular backing plate.

REGENCY CASCADES™ | i2500 Medium Hybrid Wood Insert

The Regency Cascades i2450 medium hybrid wood insert features Regency's Eco-Boost triple burn technology designed to improve efficiency and burn times while reducing emissions. By using the latest in wood burning technology the Cascades i2500 provides long, clean burns so you burn less wood throughout the year.

FEATURES

- Large fire viewing area, with heat radiating ceramic glass
- Wood-finished handle
- Heavy duty cast hinges that will never bend or break
- Solid forged steel adjustable cam lock ensures a tight door seal over time
- Side mounted air adjustment & front mounted catalytic bypass
- Air & bypass safe operation tool
- Digital catalytic temperature monitor helps your stove reach maximum burn times & efficiency
- High performance brick-lined firebox reflects heat
- Non-obtrusive air wash curtain keeps glass clean
- Black convection grilles
- Welded ash lip will never bend or break
- 10-year 100% coverage on original catalyst

OPTIONS

- Cast iron door with heat radiating ceramic glass in black or nickel accent
- Nickel convection grilles
- Regular or oversize backing plate (black trim included)
- 2 speed blower
- Regency stainless steel flex liner kits (5.5" DIA) in 25 ft. and 35 ft. lengths
- Wrap insulation kits

SPECIFICATIONS

Maximum BTU*	78,000
Typical sq. ft. heated**	1,000 - 2,200
Efficiency (EPA LHV)	82%
Max log size	18"
Burn time	Up to 12 hours
Emissions	1.0 g/h
Firebox size	2.3 cu. ft.
Flue size	6"

MIN. FIREPLACE OPENING

Width (front) x Height	25" x 21-1/2"
Depth (standard flue adapter)	17"
Depth (offset flue adapter)	--

NOTE: The ember protection shown in these images may not accurately reflect the ember protection dimensions required for your area.

** Length of burn time and BTU range depend on type of wood, moisture content, climate conditions and installation. Refer to page 18 for BTU calculation method.*

***Varies depending on home floor plan, house layout, heat loss of the house and quality/moisture content of wood.*



Hi2450 shown with regular faceplate in metallic black.

HAMPTON® | Hi2450 Medium Non-Catalytic Wood Insert

This Hampton medium cast iron wood insert adds the timeless beauty of cast iron while eliminating drafts from an open fireplace and adding a high-efficiency heater to your home. Choose from two colors, in different finishing to compliment your existing décor.

FEATURES

- Large fire viewing area, with heat radiating ceramic glass
- Cast iron exterior provides additional radiant heating
- Wood-finished handle
- Heavy duty cast hinges that will never bend or break
- Solid forged steel adjustable cam lock ensures a tight door seal over time
- Side mounted air adjustment
- High performance brick-lined firebox reflects heat
- Non-obtrusive air wash curtain keeps glass clean

OPTIONS

- Metallic black or timberline brown enamel finish
- 2 speed blower
- Regular or oversize faceplate
- Decorative cast iron grille
- Power outlet conversion
- Regency stainless steel flex liner kits (5.5" DIA) in 25 ft. and 35 ft. lengths
- Wrap insulation kits
- Flue connectors

SPECIFICATIONS	
Maximum BTU*	75,000
Typical sq. ft. heated**	1,000 - 2,200
Efficiency (EPA LHV)	72%
Max log size	18"
Burn time	Up to 10 hours
Emissions	1.4 g/h
Firebox size	2.3 cu. ft.
Flue size	6"

MIN. FIREPLACE OPENING	
Width (front) x Height	25" x 21-1/2"
Depth (standard flue adapter)	17"
Depth (offset flue adapter)	--

NOTE: The ember protection shown in these images may not accurately reflect the ember protection dimensions required for your area.

* Length of burn time and BTU range depend on type of wood, moisture content, climate conditions and installation. Refer to page 18 for BTU calculation method.

** Varies depending on home floor plan, house layout, heat loss of the house and quality/moisture content of wood.



Hi500 shown with decorative cast iron grille (digital catalytic monitor not shown).

HAMPTON® | Hi500 Large Hybrid Wood Insert

The Hampton Hi500 is a large cast iron hybrid wood insert featuring Regency's Eco-Boost triple burn technology. Experience long term burns, fewer emissions, and greater efficiency. The Hi500 combines modern technology and traditional design, enjoy the best of both worlds without sacrificing style or efficiency!

FEATURES

- Large fire viewing area, with heat radiating ceramic glass
- Cast iron exterior provides additional radiant heating
- Heavy duty cast hinges that will never bend or break
- Solid forged steel adjustable cam lock ensures a tight door seal over time
- Front mounted air adjustment & catalytic bypass
- Digital catalytic temperature monitor helps your stove reach maximum burn times & efficiency
- High performance brick-lined firebox reflects heat
- Non-obtrusive air wash curtain keeps glass clean
- Heavy gauge steel log retainers to stop logs from rolling
- 110° opening door for easy loading
- 10-year 100% coverage on original catalyst

OPTIONS

- Metallic black or timberline brown enamel finish
- Flush mount 2 speed blower
- Regular or oversize faceplate
- Decorative cast iron grille
- Backing plates in two sizes, or custom made to order
- Offset flue adaptor for installation flexibility
- Regency stainless steel flex liner kits (5.5" DIA) in 25 ft. and 35 ft. lengths
- Wrap insulation kits

SPECIFICATIONS

Maximum BTU*	78,000
Typical sq. ft. heated**	up to 2,600
Efficiency (EPA LHV)	79%
Max log size	22"
Burn time	Up to 14 hours
Emissions	1.3 g/h
Firebox size	2.6 cu. ft.
Flue size	6"

MIN. FIREPLACE OPENING

Width (front) x Height	29" x 21-3/4"
Depth (standard flue adapter)	19"
Depth (offset flue adapter)	--

NOTE: The ember protection shown in these images may not accurately reflect the ember protection dimensions required for your area.

* Length of burn time and BTU range depend on type of wood, moisture content, climate conditions and installation. Refer to page 18 for BTU calculation method.

**Varies depending on home floor plan, house layout, heat loss of the house and quality/moisture content of wood.



Ci2700 shown with low profile faceplate (digital catalytic monitor not shown).

REGENCY PRO-SERIES™

Ci2700 Large Hybrid Wood Insert

Regency Pro-Series Ci2700 contemporary cast iron hybrid wood insert feature's Regency's Eco-Boost triple burn technology to yield long burn times and minimal emissions. This insert's flush design takes the wood insert category to a whole new level. Clean lines surround an expansive linear firebox to provide you with a designer look around an impressive fire.

FEATURES

- Large fire viewing area, with heat radiating ceramic glass
- Heavy duty cast hinges that will never bend or break
- Solid forged steel adjustable cam lock ensures a tight door seal over time
- Front mounted air adjustment & catalytic bypass
- Digital catalytic temperature monitor helps your stove reach maximum burn times & efficiency
- High performance brick-lined firebox reflects heat
- Non-obtrusive air wash curtain keeps glass clean
- Heavy gauge steel log retainers to stop logs from rolling
- 110° opening door for easy loading
- 10-year 100% coverage on original catalyst

OPTIONS

- Low profile or contemporary faceplate
- Concealed 2 speed blower
- Backing plate in 2 sizes, or custom made to order
- Offset flue adapter for installation flexibility
- Regency stainless steel flex liner kits (5.5" DIA) in 25 ft. and 35 ft. lengths
- Wrap insulation kits



Ci2700 shown with contemporary faceplate & oversized backing plate.

SPECIFICATIONS

Maximum BTU*	78,000
Typical sq. ft. heated**	up to 2,600
Efficiency (EPA LHV)	79%
Max log size	22"
Burn time	Up to 14 hours
Emissions	1.3 g/h
Firebox size	2.6 cu. ft.
Flue size	6"

MIN. FIREPLACE OPENING

Width (front) x Height	29" x 21-3/4"
Depth (standard flue adapter)	19"
Depth (offset flue adapter)	--



Regular Backing Plate



Oversized Backing Plate



Custom Backing Plate

NOTE: The ember protection shown in these images may not accurately reflect the ember protection dimensions required for your area.

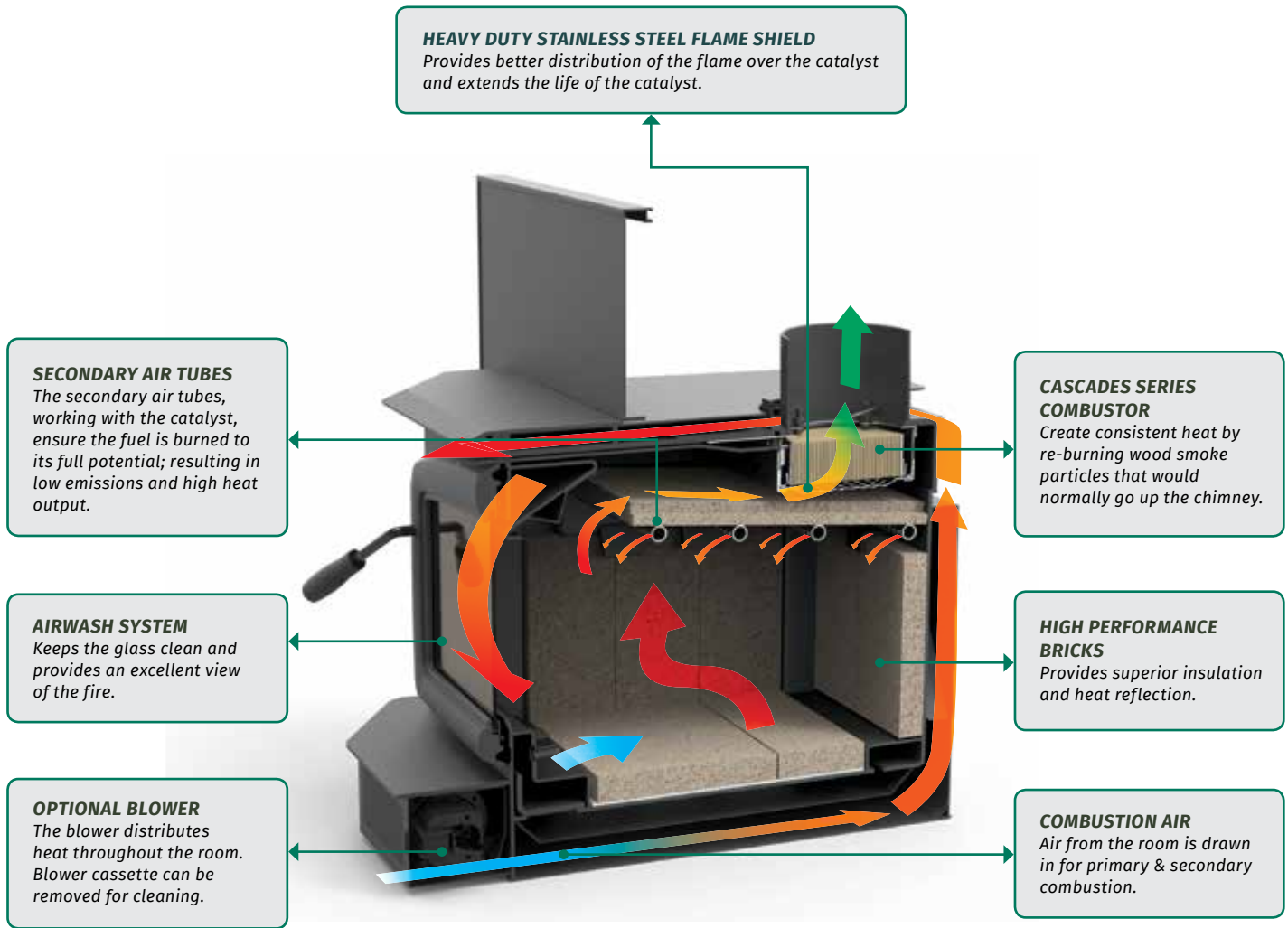
* Length of burn time and BTU range depend on type of wood, moisture content, climate conditions and installation. Refer to page 18 for BTU calculation method.

** Varies depending on home floor plan, house layout, heat loss of the house and quality/moisture content of wood.

WOOD TECHNOLOGY

CASCADES SERIES COMBUSTOR

Triple stage burn technology delivers a system of high efficiency, clean combustion & maximum heat control, all with less wood, less loading & less effort.



NOT SHOWN IN THE DIAGRAM

HEAVY DUTY CAM LATCH
Ensures airtight seal for controlled airflow.

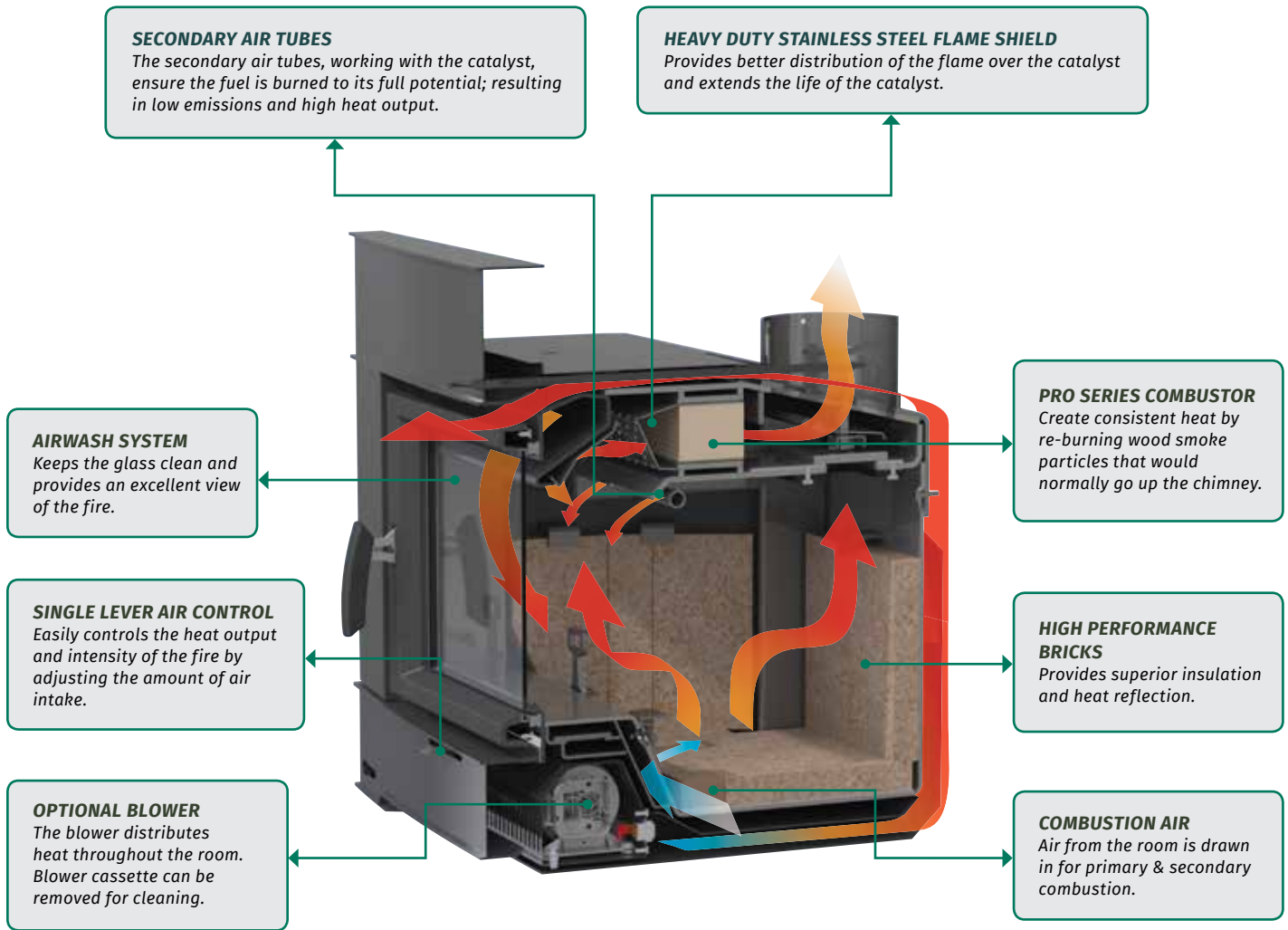
LEARN MORE ABOUT OUR
WOOD TECHNOLOGIES AT
regency-fire.com/videos



WOOD TECHNOLOGY

PRO SERIES COMBUSTOR

With Eco-Boost technology you get more out of your wood. Offering some of the highest efficiencies available anywhere, the Eco-Boost system uses more of the available energy in the wood, resulting in less loading, less chopping, and less hauling. The triple-stage burn significantly reduces emissions below EPA 2020 standards.



NOT SHOWN IN THE DIAGRAM

HEAVY DUTY CAM LATCH
Ensures airtight seal for controlled airflow.



LEARN MORE ABOUT OUR WOOD TECHNOLOGIES AT [regency-fire.com/videos](https://www.regency-fire.com/videos)

ACCESSORIES

CAST IRON DOORS *(Classic & Cascade Series only)*



*Black cast iron door
(includes black hinge caps)*



*Nickel accent cast iron door
(includes nickel hinge caps)*

POWERFUL BLOWER



This powerful blower can dramatically increase the circulation of heat in your home. It includes an automatic heat sensor which turns the blower on & off at predetermined temperatures.

SPECIFICATIONS RECAP

SPECIFICATIONS	Hi1150	Ci1150 / i1150	i1500	i2450	i2500	Hi2450	Hi500 / Ci2700
Maximum BTU*	55,000	55,000	55,000	75,000	78,000	75,000	78,000
Typical sq. ft. heated**	1,000 - 2,200	600 - 1,200	600 - 1,200	1,000 - 2,200	1,000 - 2,200	1,000 - 2,200	up to 2,600
Efficiency (EPA LHV)	75%	75%	84%	72%	82%	72%	79%
Max log size	18"	18"	18"	18"	18"	18"	22"
Burn time*	Up to 8 hours	Up to 8 hours	Up to 10 hours	Up to 10 hours	Up to 12 hours	Up to 10 hours	Up to 14 hours
Emissions	1.7 g/h	1.7 g/h	1.0 g/h	1.4 g/h	1.0 g/h	1.4 g/h	1.3 g/h
Firebox size	1.3 cu. ft.	1.3 cu. ft.	1.3 cu. ft.	2.3 cu. ft.	2.3 cu. ft.	2.3 cu. ft.	2.6 cu. ft.
Flue size	6"	6"	6"	6"	6"	6"	6"

* Length of burn time and BTU range depend on type of wood, moisture content, climate conditions and installation.

** Varies depending on home floor plan, house layout, heat loss of the house and quality/moisture content of wood.

*** EPA LHV = Lower Heating Value Efficiency - Actual measured efficiency as per CSA B415.1

BTU CALCULATION METHOD: Max BTUs are calculated by taking an average fillable volume of 95% of the stove's capacity, multiplied by 19.5 pounds per square foot and an average of 9100 BTUs per pound of wood. Factoring in the listed efficiency, 15% moisture content and dividing by the proven burn time at the high heat setting.

REGENCY WOOD FIREPLACES



stylish • **reliable** • **radiant**

RELAX WITH REGENCY DECORATIVE FIREPLACE

There's nothing quite like sitting by a cozy fire; the dancing flame, crackle of the wood, radiant warmth, and distinctive smell tugs at our heart strings. This love for fire is deeply ingrained and borne out of evolution; it is no doubt why fireplaces are still so sought after. Sitting in front of a fire we feel calmer, safer and more sociable. Studies have proven that wood fires lower blood pressure and generate a sense of community with those around us.

Regency decorative wood fireplaces are perfect for those looking to add a stunning fireplace, experience the comfort and ambiance of a real wood fire but do not require significant heat output for their entire home.



CF780 wood fireplace shown with traditional brick panels.

REGENCY ALTERRA® | CF780 Large Wood Fireplace

Add natural elegance to any room with Regency's largest portrait style wood fireplace. Designed to showcase the dynamic ambiance of a wood burning fire, the Regency Alterra CF780 is a magnificent and captivating focal point.

FEATURES

- Easy to use: no air adjustment needed - load it and leave it!
- Over 700 sq. in. of fire viewing area
- Clean edge finish puts the focus directly on the fire
- Guillotine style door slides into the chase
- Integrated safety screen can be pulled down when required, or discreetly hidden out of sight
- Stylish removable wooden door tool with strap
- Heavy gauge steel log retainers to stop logs from rolling
- Designed to fit perfectly on any wall, including corners
- Door has been designed for cleaning and complete serviceability
- Top vent with standard 8 inch pipe

OPTIONS

- Customize the look by choosing from contemporary or traditional brick panels
- Outside air and flue damper can be closed when not in use, preventing cold air from coming into your home
- Approved to use with gas logs
- Various venting kits



CF780 wood fireplace shown with contemporary brick panels.

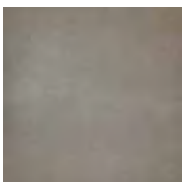
SPECIFICATIONS	
Width (front)	49-5/8"
Width (back)	25-7/8"
Height	73-7/16"
Depth	33-7/8"

SPECIFICATIONS	
Glass viewing height	23-3/4"
Glass viewing width	31-1/4"
Maximum log size	18"
Firebox box	7.91 cu. ft.
Flue size	8"



CF780 wood fireplace shown with front glass half way and mesh safety screen down

INNER BRICK PANEL OPTIONS



Contemporary



Traditional

NOTE: The ember protection shown in these images may not accurately reflect the ember protection dimensions required for your area.



Ri50 shown with black steel panels, two log boxes and black rear wall finishing trim.

REGENCY CONTURA™ | Ri50 Medium Wood Fireplace

The Contura Ri50 makes starting and maintaining a wood burning fire easy. More than a fireplace, enjoy a gathering place for family and friends. Use the optional, easy to position steel side box as a contemporary seat and stylish storage solution.

FEATURES

- Easy to use: no air adjustment needed - load it and leave it!
- Over 500 sq. in. of fire viewing area from three sides
- 3-sided guillotine style door maximizes design impact
- Side doors swing open for easy cleaning & full firebox access
- Designed to integrate seamlessly into any room
- Thermotte® firebox lining is a perfect fit with no risk of warping
- Integrated removable ash pan makes clean up quick & easy
- Wood log loading gloves included
- Top or rear vent for flexible installation

OPTIONS

- Available with black steel or white steel panels
- Steel log box allows for stylish, clean storage
- Outside air kit is available to help with air tight homes
- 3" black rear wall finishing trim to create a flush finish



R150 shown with white steel panels, log box and black rear wall finishing trim.

SPECIFICATIONS

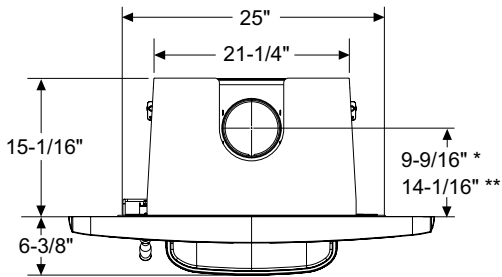
Maximum log size	16"
Firebox box	1.8 cu. ft.
Flue size	6"



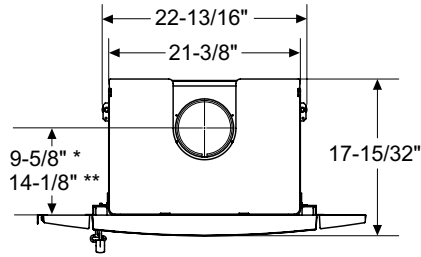
NOTE: The ember protection shown in these images may not accurately reflect the ember protection dimensions required for your area.

SPECIFICATIONS

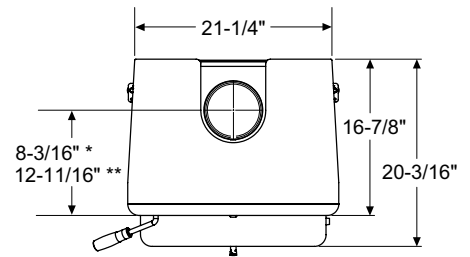
TOP VIEW



Hi1150



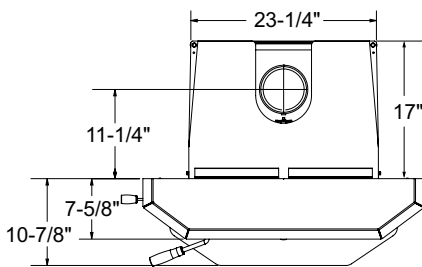
Ci1150



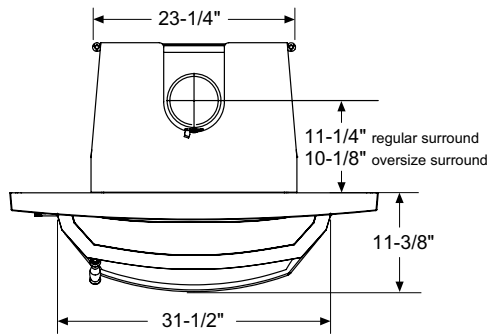
i1150 / i1500

* with standard flue adapter

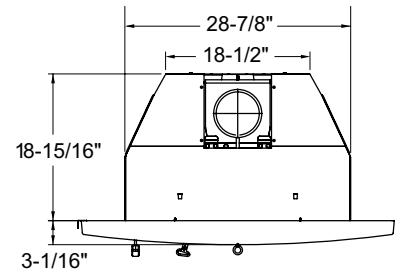
** with offset flue adapter



i2450 / i2500



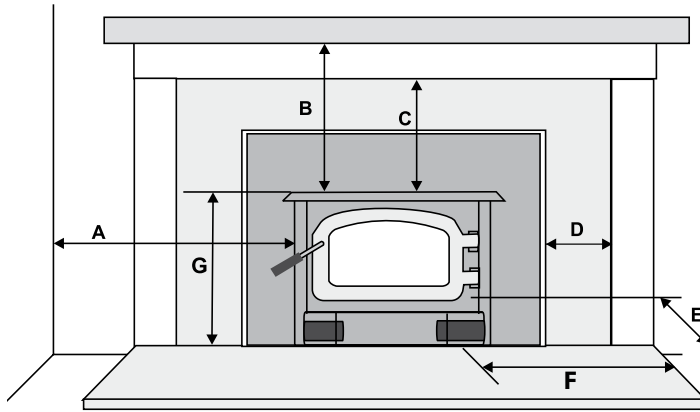
Hi2450



Ci2700 / Hi500

DIMENSIONS	Hi1150	Ci1150	i1150 / i1500	i2450 / i2500	Hi2450	Ci2700 / Hi500
Firebox Height	19-1/2"	22-1/8"	18-3/4"	20-3/4"	21-5/8"	21-1/2"
Height to Top of Flue Collar	19-9/16"	22-13/16"	19-1/2"	21-3/8"	21-5/8"	23-1/2"
Faceplate (W x H)	39-13/16" x 27-1/4"	35-15/16" x 25-3/4"	38" x 26-3/8"	40" x 30"	42-1/2" x 30"	40" x 26"
Oversize Faceplate (W x H)	--	--	44" x 30-3/8"	48" x 33"	51-7/8" x 34-1/2"	--
Backing Plate (W x H)	--	40" x 29-1/2"	--	--	--	44" x 29-7/8"
Oversize Backing Plate (W x H)	--	--	--	--	--	48" x 33-7/8"

MIN. FIREPLACE OPENING	Hi1150	Ci1150	i1150 / i1500	i2450 / i2500	Hi2450	Ci2700 / Hi500
Height	19-5/8"	23"	19"	21-1/2"	21-1/2"	21-3/4"
Width (front)	25"	25"	23"	25"	25"	29"
Depth (with standard flue adapter)	15-1/16"	15-1/16"	13-3/4"	17"	17"	19"
Depth (with offset flue adapter)	17-11/16"	17-11/16"	16-1/2"	--	--	--

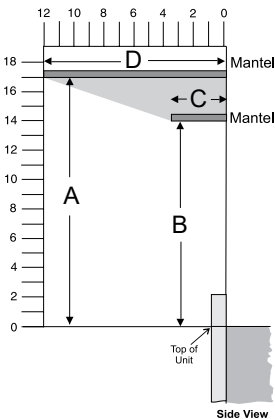


MASONRY AND FACTORY BUILT FIREPLACE CLEARANCES

The minimum required clearances to combustible materials when installed into a masonry or factory built fireplace are listed below for 3.5" mantle:

UNITS	ADJACENT SIDE WALL (TO SIDE)	MANTLE (TO TOP OF UNIT)	TOP FACING (TO TOP OF UNIT)	SIDE FACING (TO SIDE OF UNIT)	MIN. HEARTH EXTENSION		MINIMUM HEARTH SIDE EXTENSION	TO TOP OF UNIT
	A	B	C	D	E (USA)	E (CAN)	F	G
Hi1150	15"	20"	14"	7-3/8"	16"	18"	USA 6" / CAN 8"	19"
Ci1150	15"	20"	14"	7-3/8"	16"	18"	USA 6" / CAN 8"	20-1/2"
i1150 / i1500	15"	15"	14"	1/2"	16"	18"	8"	18-3/4"
i2450 / i2500	12"	17-1/4"	16"	1/2"	16"	18"	8"	20"
Hi2450	12"	14"	14"	1/2"	16"	18"	8"	21-5/8"
Ci2700 / Hi500	12-3/16"	21-5/8"	14"	7-3/8"	16"	18"	1-1/2"	19-1/4"

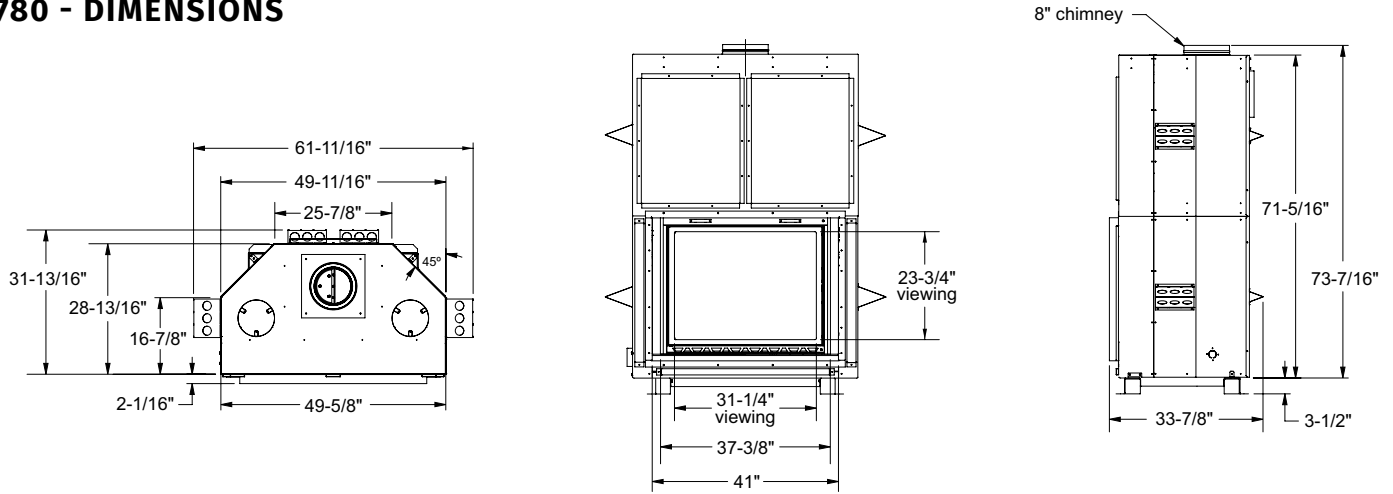
****NOTE:** Refer to manual for any mantle greater than 3.5" up to a maximum of 12".



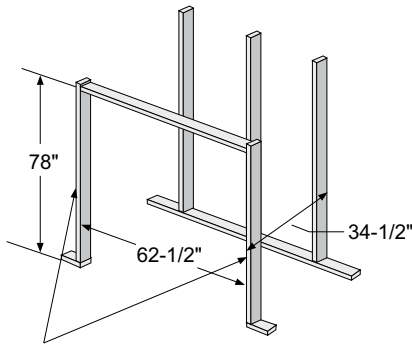
MANTLE CLEARANCES	Hi1150	Ci1150	i1150 / i1500	i2450 / i2500	Hi2450	Ci2700 / Hi500
A	20"	20"	20"	17"	17"	21-3/4"
B	15"	15"	15"	14"	14"	29"
C	3-1/2"	3-1/2"	3-1/2"	3-1/2"	3-1/2"	--
D	12"	12"	12"	12"	12"	10"

SPECIFICATIONS

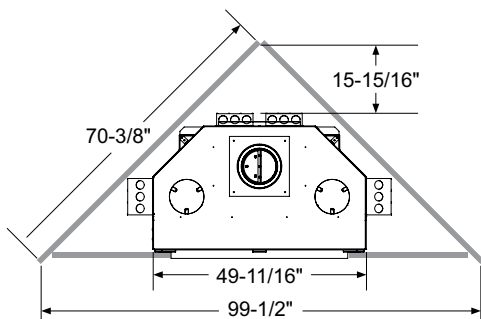
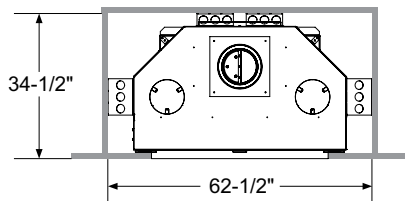
CF780 - DIMENSIONS



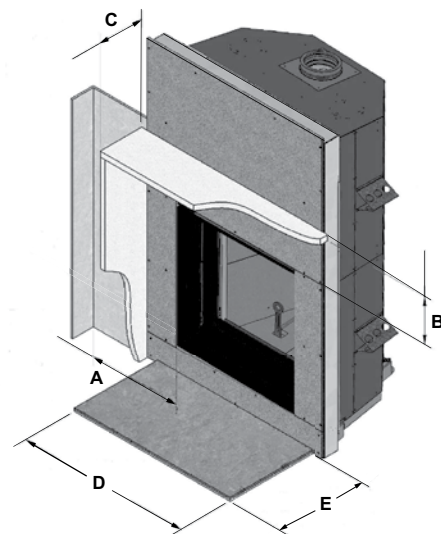
CF780 - FRAMING



Front Face - build with steel studs and non-combustible board. Plan out and frame ventilation grills. Finish with materials such as stone or tile.



CF780 - CLEARANCES



MINIMUM CLEARANCE TO COMBUSTIBLES

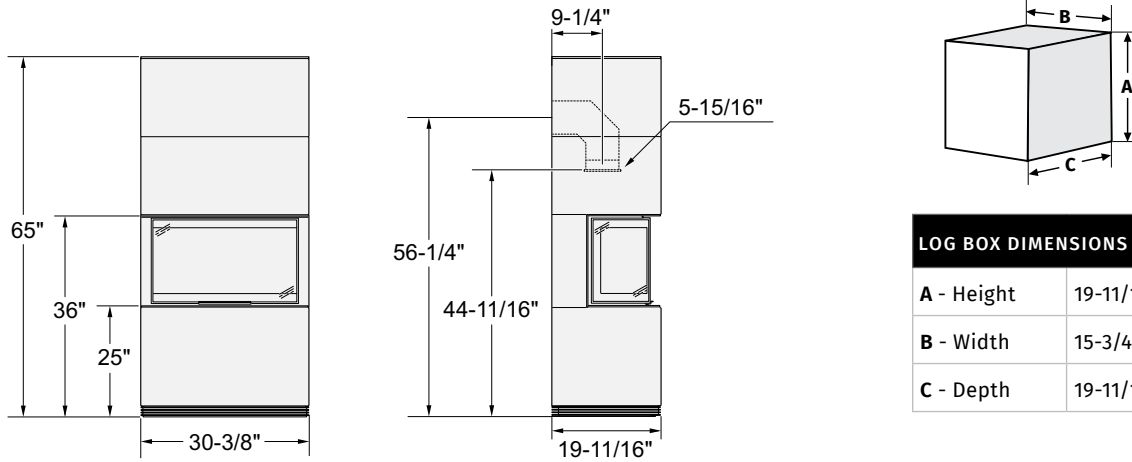
CF780	USA	CANADA
A Side Wall From Side Opening	24"	24"
B Mantel Height (min.) From Opening	7"	7"
C Mantel Depth (max.)	12"	12"

NON-COMBUSTIBLE HEARTH REQUIREMENT

CF780	USA	CANADA
D Hearth Width	61-3/8"	61-3/8"
E Hearth Depth	20"	20"

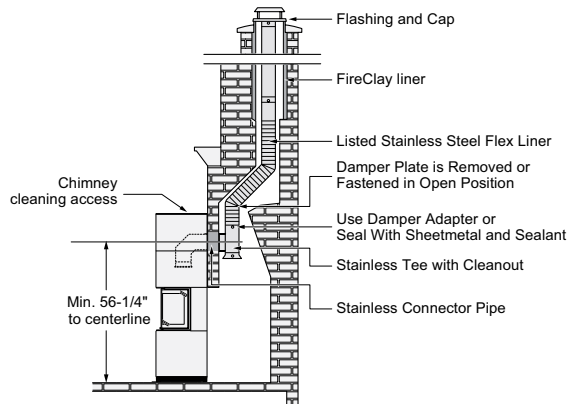
NOTE: Refer to manual for more detailed requirements.

Ri50 - DIMENSIONS



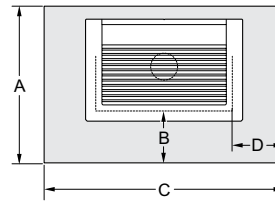
LOG BOX DIMENSIONS	
A - Height	19-11/16"
B - Width	15-3/4"
C - Depth	19-11/16"

Ri50 - MASONRY FIREPLACE INSTALLATION



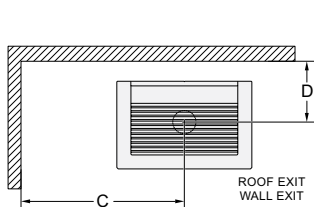
NOTE: For full installation details please check the manual and your local Codes and Regulations.

Ri50 - FLOOR PROTECTION

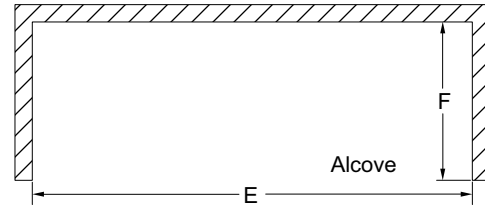
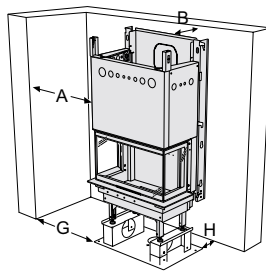


MINIMUM OVERALL DEPTH (Y) OF FLOOR PROTECTOR		
Ri50	USA	CANADA
A	43-1/2"	45-1/2"
B (Edge of Fuel door opening to edge of hearth)	16"	18"
C	58-1/2"	62-1/2"
D (Edge of Fuel door opening)	16"	18"

Ri50 - CLEARANCES



Note: If backwall is Masonry: zero clearance.
Note: 45° corner install: Maintain all clearance to combustibles.



Note: Minimum alcove ceiling height - 90"
 E = Minimum width of alcove - 100"
 F = Maximum depth of alcove - 36"

Note: All the clearances are required for air space between the appliance and wall/ceiling.

Note: Be aware that local Codes & Regulations may override some clearances listed in this manual. Check with your local inspector.

Note: Clearances to combustibles are for the safety of the property. To avoid overheating and damaging the appliance these clearances should be maintained for non-combustibles also.

RESIDENTIAL INSTALLATION: DOUBLE WALL CONNECTOR ONLY

A	B**	C	D	E	F	G	H*
21-1/2"	4-1/2"	35-1/8"	12-1/8"	100"	36"	21-3/16"	3"

NOTE: Single wall pipe is not approved for this model.

*If back wall is masonry, clearance is 0".

**Distance from the rear heat shield.

DESIGN INSPIRATION



TESTIMONIALS

“

I am extremely satisfied and happy with the Regency wood-stove insert I purchased. It holds so much wood and goes through the entire night. And with the help of the blower the entire main level of my home (1,800 sq. ft) is so warm I'm able to turn off my heat pump from November - March. Now I just need to purchase another for my basement!



”

ALAN S. – GOOGLE REVIEW

“

Great product! I love my fireplace insert. It keeps the house warm and cozy, keeps the heating bill low and gives a glass door to see the fire. I have the enameled model which is so easy to clean. Burns so well that you will even save money on firewood.



”

PAULINE P. – GOOGLE REVIEW

“

My Regency provides ambience and coziness in addition to excellent heat. My daughter bought two for her home because of my experience with them. I love my Regency fireplace and highly recommend them to anyone in the market for a wood burning appliance.



”

WILD N. – GOOGLE REVIEW

ENVIRONMENTALLY RESPONSIBLE ENERGY

EPA 2020 CERTIFIED

Regency wood inserts are tested and certified to the strictest clean air standards as set by the United States Environmental Protection Agency (EPA). Regency's wood inserts are fully EPA 2020 certified. This means they release very little particulate matter into the atmosphere, less than 2.5 grams per hour; compared to the 50–60 grams per hour produced by traditional open hearth fireplaces.

Regency engineers have meticulously designed the firebox to generate efficient airflow around the wood, allowing it to burn more completely resulting in minimal and very fine ash. When comparing models, check the white EPA labels – a lower g/h rating means a cleaner, more efficient wood stove.

As trees grow they absorb carbon dioxide from the atmosphere. When trees die and are left to decompose or burn in forest fires, the carbon stored within the trees is released back into the atmosphere, once again as carbon dioxide. Burning firewood produces the same amount of carbon dioxide as it has absorbed – this makes it carbon neutral. Wood is also a renewable, natural energy source.

Well-managed forests are a renewable and sustainable source of energy that also helps to reduce greenhouse gas emissions along with our reliance on oil and gas.



READY TO BUY

FIREPLACE SELECTION WORKSHEET

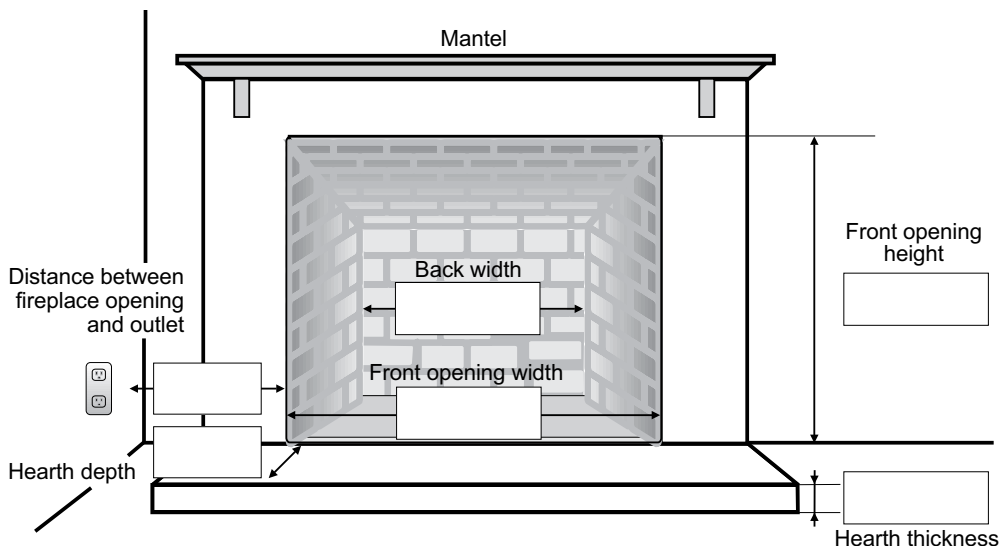
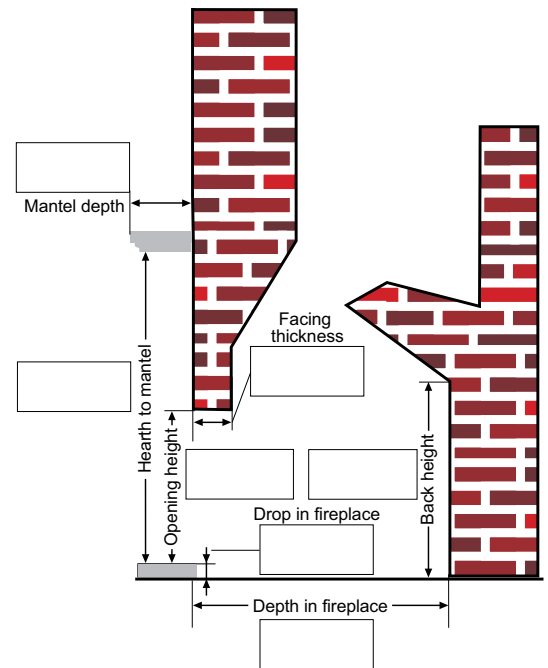
We want you to enjoy your beautiful Regency fireplace for years to come. To help you figure out which product is just right for your home, fill in the following worksheet. Once complete, visit your nearest Regency dealer. Your professional Regency dealer will assess your needs - including local building codes - and install your Regency!

1. BASIC PRODUCT FUNCTION QUESTIONS

- a. I would like my unit to provide me with: Supplemental heating Priority heating
- b. The room/rooms I would like to heat are: _____ sq. ft.

2. FIREPLACE PRODUCT TYPE AND MEASUREMENTS

- a. I am: Installing a new fireplace Installing into an existing fireplace
- b. Fill in the following measurements:
 Ceiling Height: _____
 Location in the room: _____
- c. What is the:
 Flooring material: _____
 Wall material: _____
 Ceiling material: _____
- d. Fireplace opening dimensions:
 Width (front): _____
 Width (back): _____
 Height: _____
 Depth: _____

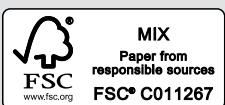




regency-fire.com

TOTAL CHIMNEY CARE

CALL US @ (203) 874-6772



©2020 FPI Fireplace Products International Ltd. Regency®, Regency Classic™, Regency Cascades™, Regency Pro-Series™, Hampton™, Alterra® and Contura™ are registered or proprietary trademarks of FPI Fireplace Products International Ltd.

All rights reserved. Printed in Canada (03/20)

Part no. 944-439

